

SLD3135VR

Features

- Wavelength : 405nm(Typ.)
- Output power : 20mW
- Threshold current : $I_{th}=26\text{mA}$ (Typ.)
- Package : $\phi 5.6\text{mm}$ with PD

Applications

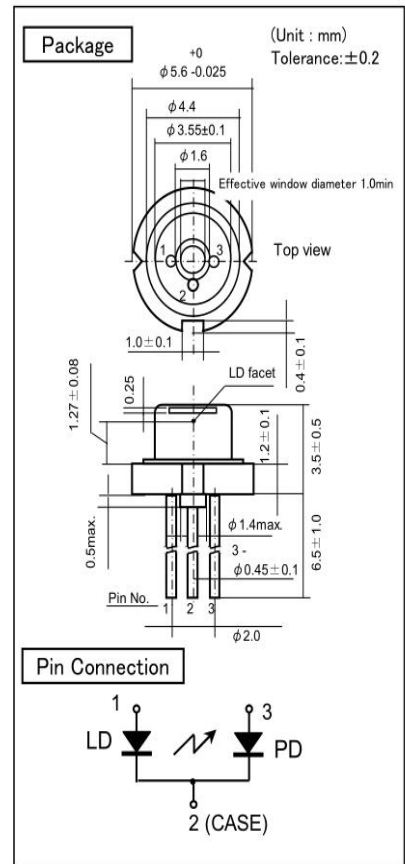
- Laser module
- Industrial Use

Absolute Maximum Ratings

($T_c=25^\circ\text{C}$)

Parameter	Symbol	Ratings	Unit
Light Output	Po(CW)	35	mW
Reverse Voltage (LD)	VR	2	V
Operating Temperature ¹⁾	Topr	0 to +75	$^\circ\text{C}$
Storage Temperature ¹⁾	Tstg	-40 to +85	$^\circ\text{C}$

1) Case temperature.



Electrical and Optical Characteristics ^{2) 3) 4) 5)}

($T_c=25^\circ\text{C}$)

Parameter		Symbol	Condition	Min.	Typ.	Max.	Unit
Threshold Current		I_{th}	CW	-	26	60	mA
Operating Current		I_{op}	$P_o=20\text{mW}$	-	55	80	mA
Operating Voltage		V_{op}	$P_o=20\text{mW}$	-	4.8	5.6	V
Lasing Wavelength		L_p	$P_o=20\text{mW}$	400	405	410	nm
Beam ⁶⁾ Divergence	Perpendicular	Q_v	$P_o=20\text{mW}$	16	19	23	$^\circ$
	Parallel	Q_h	$P_o=20\text{mW}$	6	8.5	12	$^\circ$
Off Axis Angle	Perpendicular	dQ_v	$P_o=20\text{mW}$	-3	-	3	$^\circ$
	Parallel	dQ_h	$P_o=20\text{mW}$	-3	-	3	$^\circ$
Differential Efficiency		SE	$P_o=20\text{mW}$	0.7	1.1	-	mW/mA
Monitoring Output Current		I_m	$P_o=20\text{mW}$	0.1	0.2	0.5	mA