

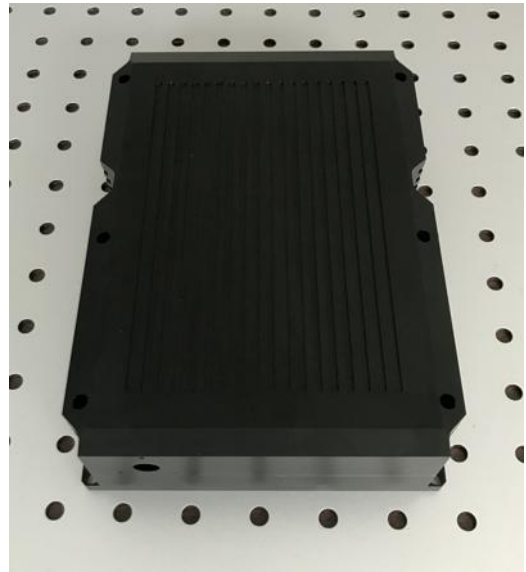
LSR405CP 3W~12W Violet Diode Laser

FEATURES

Longlife operation
Analog/TTL modulation
Collimated straight beam
High efficiency
High reliability

APPLICATIONS

Laser show
Display
Laser Alignment
Scanning Biochemistry
Material Inspection Lidar



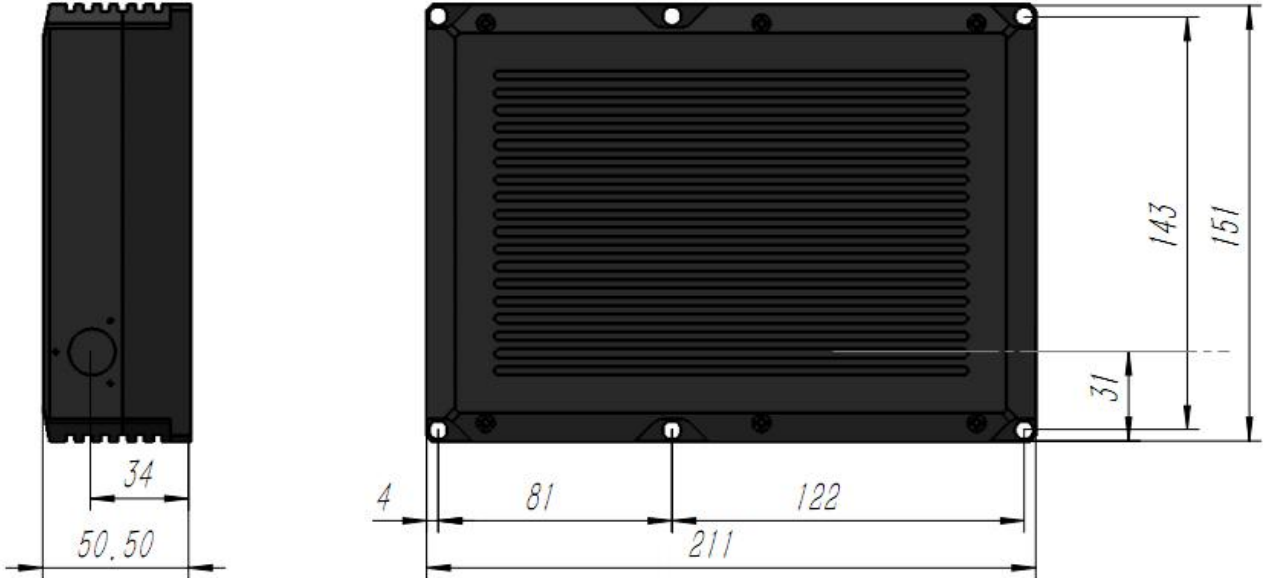
Specifications

Model No.	LSR405CP
Wavelength	405+/-5 nm
Spatial Mode	Multi mode
Operation Mode	CW or Modulation
Beam Height	34mm
Output Power	3W, 4W, 5W,....,12W
Beam Size	8x6mm
Beam Divergence(full angle)	1.5mrad
Power Stability	<3% per 4 hrs
Warm Up Time	<1 minute
MTTF	10,000 hrs
Laser head dimensions	211(L)x151(W)x50.5(H)mm ³
Power Supply	A. OEM type LSR-PS-I3: 143(L)x40(W)x68(H)mm ³ AC/DC PSU: 85~265V 50/60Hz input
	B. Lab type
	C. Adjustable type
Modulation	0~30khz Analog or TTL

LSR405CP 3W~12W Violet Diode Laser

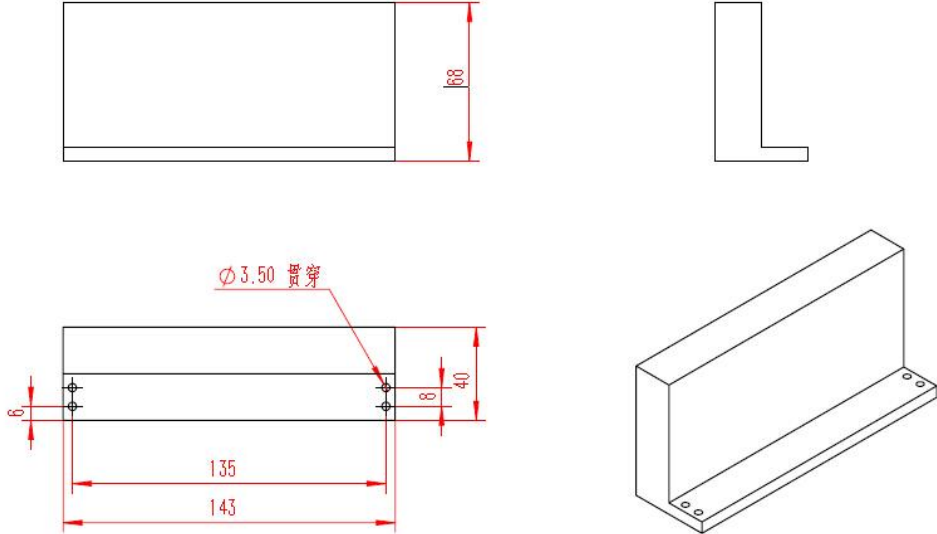


Laser Head Drawing:

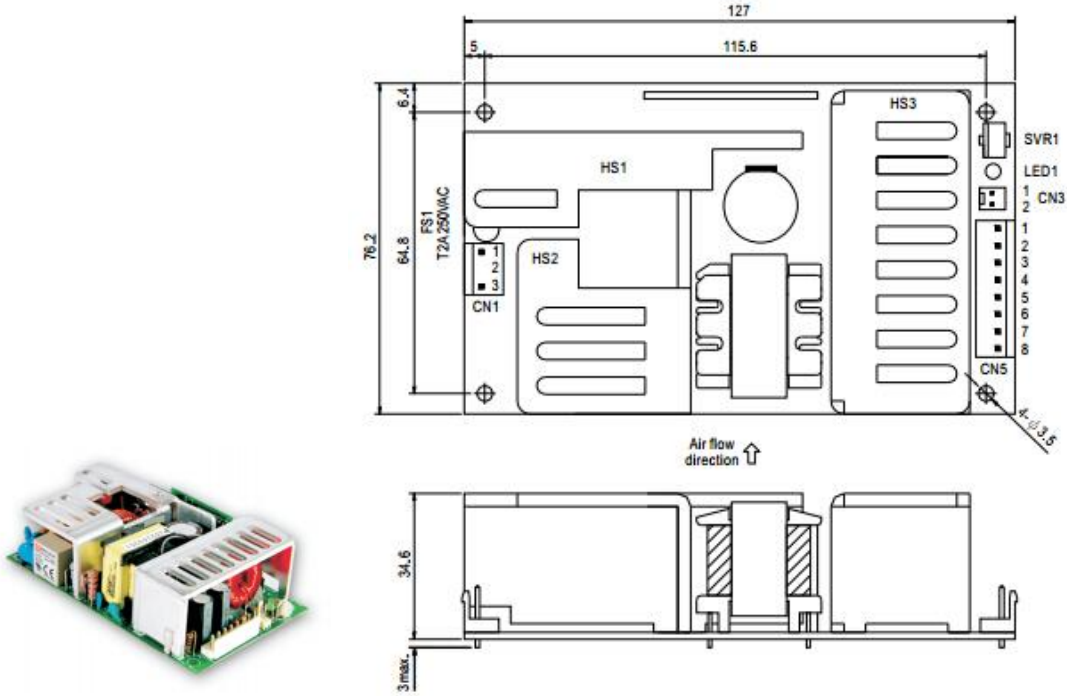


A. OEM type power supply

LSR405CP 3W~12W Violet Diode Laser



AC/DC PSU:



B. Lab type power supply

LSR405CP 3W~12W Violet Diode Laser



C. Adjustable power supply

