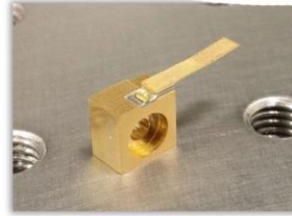


2300 nm FABRY-PEROT LASER DIODE

Product number: - (typical performance datasheet)

Package: C-mount (TO Can also available)



Specifications

Physical properties

Cavity length	mm	1,5
Ridge width	μm	120
AR coating	%	3
HR coating	%	>95

Electrical properties

Threshold current	mA	300
Maximum operating current*	A	5
Maximum operating voltage*	V	1,5

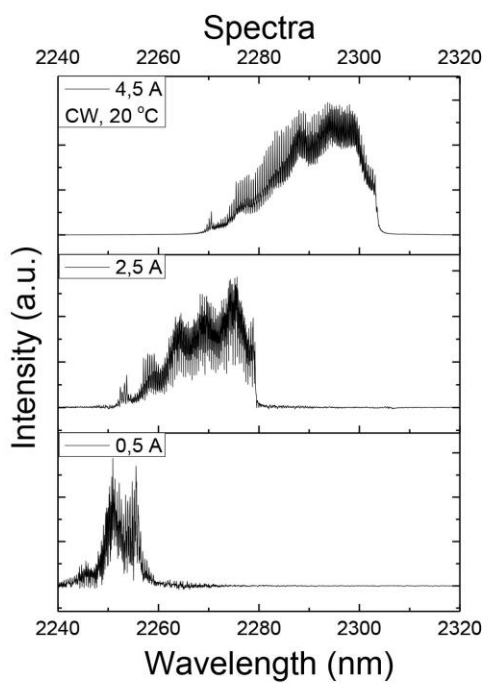
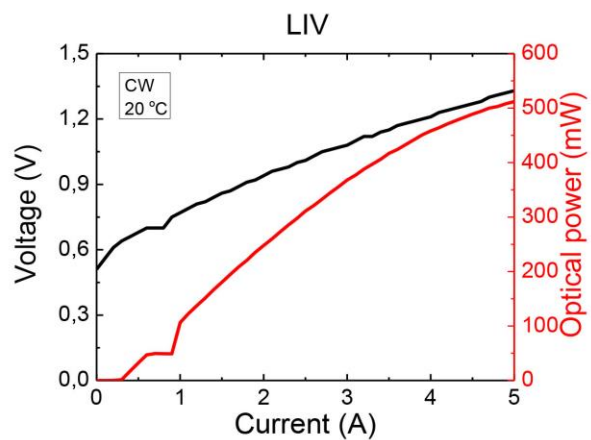
Optical properties

Peak output power	mW	500
Center wavelength	nm	2290
Mode		Multimode

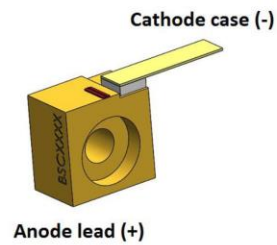
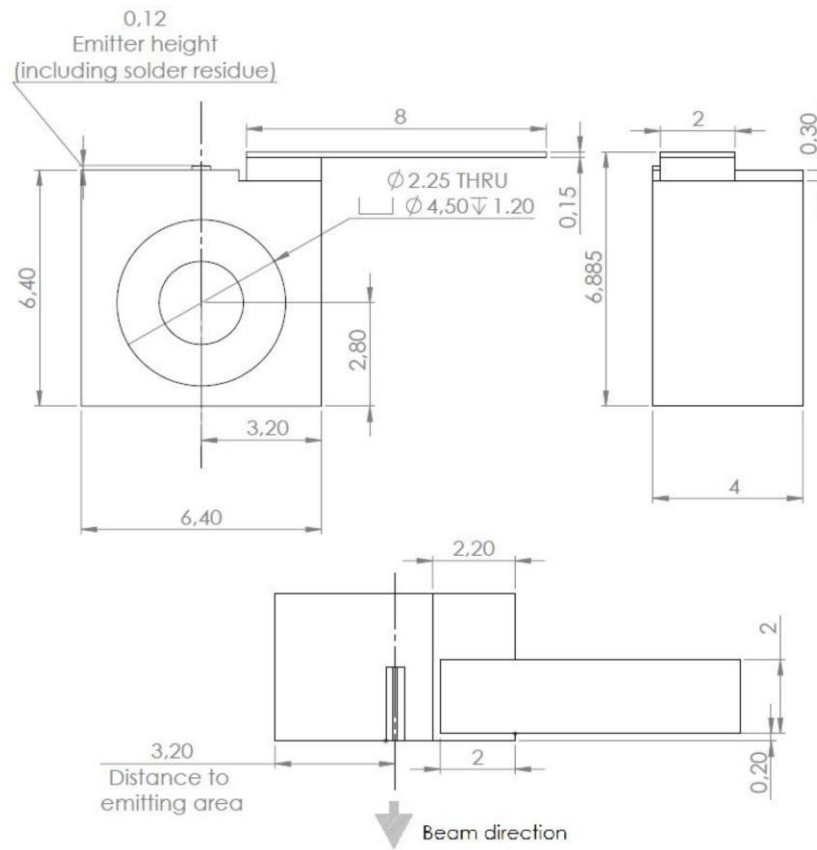
20 °C, Continuous-wave operation, 4,5 A

***Exceeding maximum operating ratings can lead to permanent damage to the device! This can adversely affect device performance or lead to complete failure.**

Performance plots



Drawings (C-mount package)



Drawings (TO Can package 9mm)

